

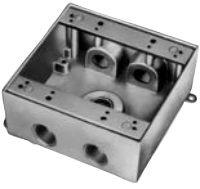



### Deep Boxes – Single Gang


	Cat. No.	Hub Size	Outlets
<b>Three Outlets</b> 	IHD3-1•	½"	Top 1
	IHD3-2•	¾"	Bottom 1
	IHD3-3•	1"	Back 1
			<b>Total 3</b>

<b>Four Outlets</b> 	IHD4-1•	½"	Top 2
	IHD4-2•	¾"	Bottom 1
			Back 1
			<b>Total 4</b>

<b>Two Gang</b> <b>Five Outlets</b> 	2IHD5-2•	¾"	Top 2
	2IHD5-3•	1"	Bottom 2
			Back 1
			<b>Total 5</b>


<b>Three Gang</b> <b>Seven Outlets</b> 	3IHD7-2•	¾"	Top 3
	3IHD7-3•	1"	Bottom 3
			Back 1
			<b>Total 7</b>

### Mounting Lugs


	Cat. No.	Description
	LM	2 mounting lugs with self tapping screws. For LM boxes only


• With mounting lugs

### Extensions – Single Gang


	Cat. No.	Hub Size	Outlets	Description
<b>No Outlets</b> 	IHE	N/A	0	Extension ring for one gang box with gasket and screws

<b>Four Outlets</b> 	IHE4-1	½"	Top 2	Four hole extension ring for one gang box with 4 plugs, gasket and screws
			Bottom 2	
			<b>Total 4</b>	


<b>Two Outlets, Flanged</b> 	IHEF2-1	½"	Top 1	<b>Add-On</b> 2 Hole flanged box extension adapter with one plug gasket and screws
	IHEF2-2	¾"	Bottom 1	
			<b>Total 2</b>	

<b>Six Outlets, Flanged</b> 	IHEF6S2-1	½"	Top 2	<b>Add-On</b> 6 Hole flanged box extension adapter with four plug gasket and screws
	IHEF6S2-2	¾"	Bottom 2	
			Side 1	
			Side 1	
			<b>Total 6</b>	

### Two Gang

	Cat. No.	Hub Size	Outlets	Description
<b>No Outlets</b> 	2IHE	N/A	0	Extension ring for two gang boxes with gasket and screws

### Round

	Cat. No.	Hub Size	Outlets	Description
<b>Four Outlets</b> 	SE-47	½"	4	Round extension with gasket and screws
	SE-48	¾"		

## Dry-tite® Universal Boxes



IH3-1-LM



2IH5-1



CCD



2CCTS

### Applications:

- Dry-tite® boxes and covers protect wiring devices, switches, electronic components, and terminal blocks in Dry, Damp and Wet Locations.
- Accessible wiring chamber provides a convenient location to maintain or change a system, pull conductors and make splices.
- Junction box for branch conduits.

### Features/Benefits:

- Alloy A380 aluminum, certified zinc alloy, and stainless steel springs provide increased corrosion resistance.
- Die cast construction and industrial design combine to produce a rugged protective enclosure for devices on many applications.
- Clean cover edges provide good gasket sealing.
- Precision cast and machined surfaces permit safer wire pulling.
- Clear UL and cubic content markings speed approval by inspectors.
- Convenient mounting lugs for a variety of mounting methods.
- Securely fastened mounting plates reduce costly call backs.

### Standard Materials:

- Boxes: Die cast aluminum alloy A380.
- Cover Plates: Stamped aluminum alloy or certified die cast zinc alloy ZAMAK 3.
- Cover Lids: Certified die cast zinc alloy ZAMAK 3.

### Standard Finish:

- Aluminum lacquer finish.

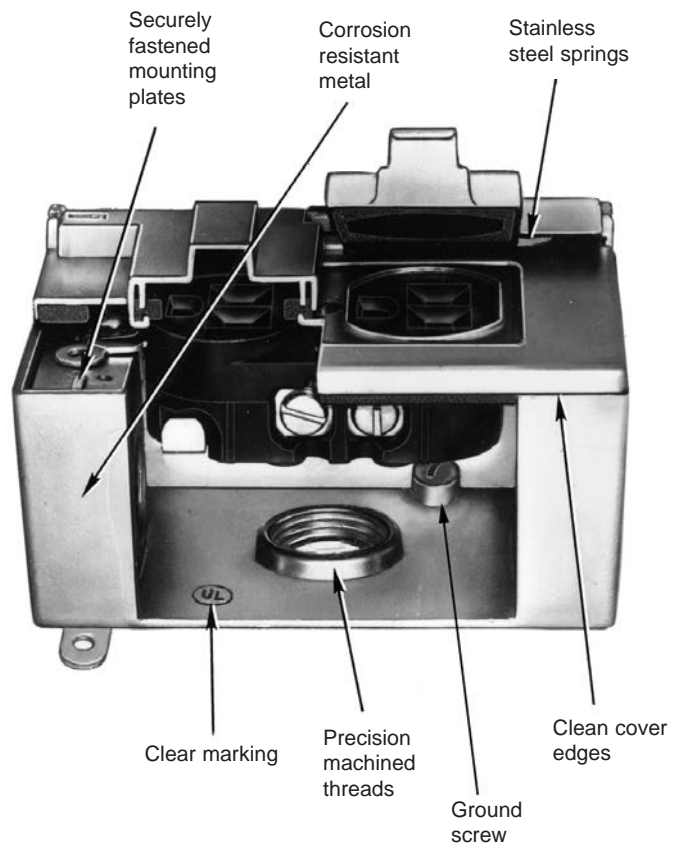
### Compliances:

- UL Listed.
- Boxes: CSA Certified with factory installed ground screw.\*\*
- Covers: CSA Certified.
- Covers suitable for use in Wet Locations with covers closed.
- CCB and CCT series covers suitable for use in Wet Locations.
- Federal Spec. W-C-586.
- NEMA 3R Rated.

### Sample Specifications:

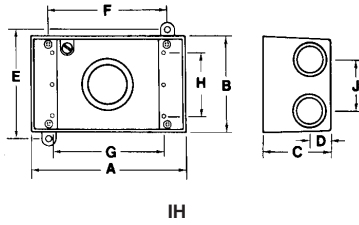
- Universal device boxes and covers shall be of aluminum alloy A380 and certified zinc alloy. All conduit stops shall be free of rough edges. Covers shall have stainless steel springs. Covers shall be finished with aluminum lacquer. Universal device boxes And covers shall be Red•Dot® Catalog No. \_\_\_\_\_

\*\*Consult factory for lead time and minimum quantity.



# Red•Dot® Dry-tite® Universal Boxes

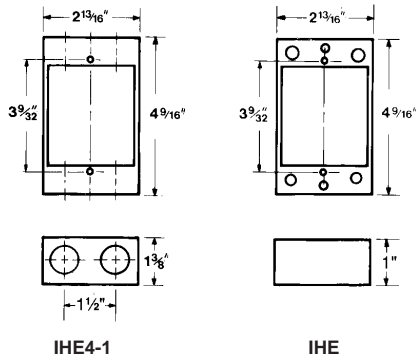
## Single Gang Boxes



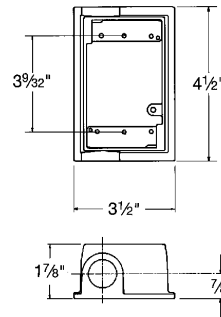
## Single Gang Boxes

Cat. No.	Hub Size	A	B	C	D	E	F	G	H	J	CI
IH	1/2"	4 9/16	2 13/16	2	5/8			3/4	1 7/8	1 1/2	17.3
IH	3/4"	4 9/16	2 13/16	2	5/8			3/4	1 7/8	1 1/2	17.0
IH-LM	1/2"	4 9/16	2 13/16	2	5/8	3 13/16	3 1/2	3/4	1 7/8	1 1/2	17.3
IH-LM	3/4"	4 9/16	2 13/16	2	5/8	3 13/16	3 1/2	3/4	1 7/8	1 1/2	17.0
IH-S	1/2"	4 9/16	2 13/16	2	5/8	3 13/16	3 1/2	3/4	1 7/8	1 1/2	17.0
IH-S	3/4"	4 9/16	2 13/16	2	5/8	3 13/16	3 1/2	3/4	1 7/8	1 1/2	17.0
IHD	1/2"	4 9/16	2 13/16	2 5/8	5/8	3 13/16	3 1/2	3/4	1 7/8	1 1/2	24.8
IHD	3/4"	4 9/16	2 13/16	2 5/8	5/8	3 13/16	3 1/2	3/4	1 7/8	1 1/2	24.8
IHD	1"	4 9/16	2 13/16	2 5/8	3/4	3 13/16	3 1/2	3/4	1 7/8	1 1/2	23.5

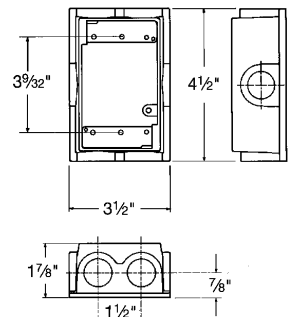
## Single Gang Extension Rings



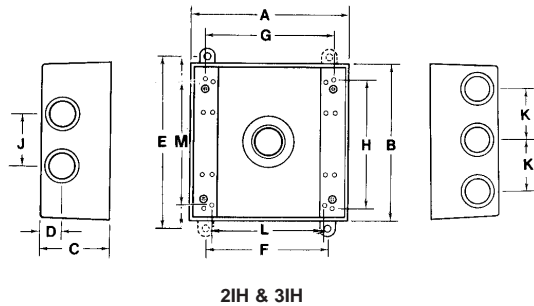
## Two Hole Flanged Box Extension Adapter



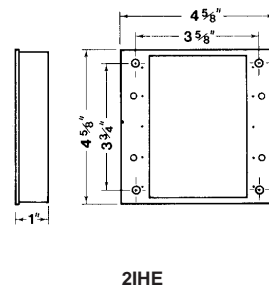
## Six Hole Flanged Box Extension Adapter



## Two and Three Gang Boxes



## Two Gang Extension Ring



## Two and Three Gang Boxes

Cat. No.	A	B	C	D	E	F	G	H	J	K	L	M	CI
2IH3	4 9/16	4 3/8	2 1/16	5/8	5	3 1/2	3 11/16	3/4			3/4	3 9/16	31.8
2IH4	4 9/16	4 3/8	2 1/16	5/8	5	3 1/2	3 11/16	3/4	1 1/2		3/4	3 9/16	31.8
2IH5	4 9/16	4 3/8	2 1/16	5/8	5	3 1/2	3 11/16	3/4	1 1/2		3/4	3 9/16	31.8
2IH5S2	4 9/16	4 3/8	2 1/16	5/8	5	3 1/2	3 11/16	3/4			3/4	3 9/16	31.8
2IH7	4 9/16	4 3/8	2 1/16	5/8	5	3 1/2	3 11/16	3/4		1 1/2	3/4	3 9/16	30.3
2IH7S2	4 9/16	4 3/8	2 1/16	5/8	5	3 1/2	3 11/16	3/4			3/4	3 9/16	32.0
2IHD5	4 9/16	4 3/8	2 11/16	3/4	5	3 1/2	3 11/16	3/4	1 13/16		3/4	3 9/16	40.3
3IHD7	4 9/16	6 7/16	2 11/16	1 1/8	6 3/16	3 1/2	3/4	5/8		1 11/16	3/4	3 9/16	54.8