

## PVC-Coated Conduit and Accessories

Factory bent to save wasted time and materials!

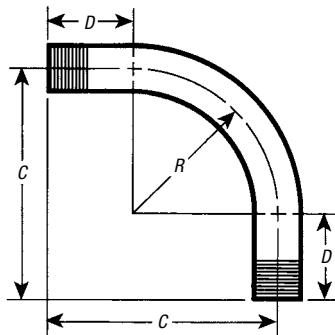
### OCAL-BLUE® Standard-Radius Elbows






- Fabricated from Ocal® PVC-coated conduit
- Standard radii in 30°, 45°, 60° and 90° available for immediate shipment
- Color-coded thread protectors for easy identification of conduit size

Conduit & Fittings — Ocal® Corrosion-Resistant Conduit Systems

CAT. NO.		PIPE SIZE IN. METRIC SIZE DESIGNATOR*	RADIUS "R" IN. MM	OFFSET "C" IN. MM	STRAIGHT END "D"	UNBENT LENGTH	WEIGHT EACH STEEL ONLY
STEEL	ALUMINUM				IN. MM	IN. MM	LBS. KG
ELL1/2-_-	ELL1/2-_-SA-_-	½	4.00	6.00	2.00	10.28	.67
		16	101.60	152.40	50.80	261.19	16.95
ELL3/4-_-	ELL3/4-_-SA-_-	¾	4.50	6.50	2.00	11.07	.95
		21	114.30	165.10	50.80	281.14	24.07
ELL1-_-	ELL1-_-SA-_-	1	5.75	8.00	2.25	13.53	1.77
		27	146.05	203.20	57.15	343.71	44.97
ELL11/4-_-	ELL11/4-_-SA-_-	1¼	7.25	9.50	2.25	15.89	2.55
		35	184.15	241.30	57.15	403.56	64.80
ELL11/2-_-	ELL11/2-_-SA-_-	1½	8.25	11.00	2.75	18.46	3.98
		41	209.55	279.40	69.85	468.86	101.13
ELL2-_-	ELL2-_-SA-_-	2	9.50	13.00	3.50	21.92	6.33
		53	241.30	330.20	88.90	556.83	160.86
ELL21/2-_-	ELL21/2-_-SA-_-	2½	10.50	14.00	3.50	23.49	9.65
		63	266.70	355.60	88.90	596.73	245.09
ELL3-_-	ELL3-_-SA-_-	3	13.00	16.50	3.50	27.42	15.42
		78	330.20	419.10	88.90	696.48	391.77
ELL31/2-_-	ELL31/2-_-SA-_-	3½	15.00	20.75	5.75	35.06	23.30
		91	381.00	527.05	146.05	890.57	591.84
ELL4-_-	ELL4-_-SA-_-	4	16.00	21.75	5.75	36.63	29.68
		103	406.40	552.45	146.05	930.47	753.80
ELL5-_-	ELL5-_-SA-_-	5	24.00	31.00	7.00	51.70	60.82
		129	609.60	787.40	177.80	1313.16	1544.89
ELL6-_-	ELL6-_-SA-_-	6	30.00	39.00	9.00	65.12	85.69
		155	762.00	990.60	228.60	1654.15	2176.51



ITEM	PIPE SIZE	ANGLE	MATERIAL	COLOR
<b>ELL3/4</b> -	-	-	-	-
	30 = 30°		Blank = Steel	G = Gray 
	45 = 45°		SA = Aluminum	W = White 
	60 = 60°			B = Blue 
	Blank = 90°			

Custom colors also available.

**Catalog No. Example:**  
**ELL3/4SA-W** is a ¾" trade size 90° aluminum elbow coated in white PVC.

## PVC-Coated Conduit and Accessories

Choose the size and angle to meet your exact requirements.

### OCAL-BLUE® Large-Radius Elbows

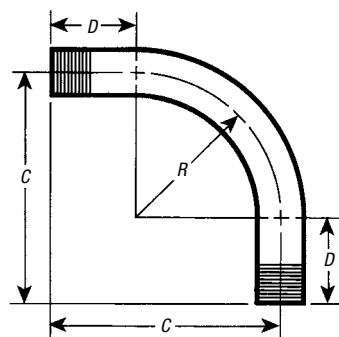
- Fabricated from Ocal® PVC-coated conduit
- Large radius in 90° available for immediate shipment
- Special radii and angles not listed available upon request
- Color-coded thread protectors for easy identification of conduit size



Conduit & Fittings — Ocal® Corrosion-Resistant Conduit Systems

CAT. NO.		PIPE SIZE IN.	RADIUS "R"	OFFSET "C"	STRAIGHT END "D"	UNBENT LENGTH
STEEL	ALUMINUM	METRIC SIZE DESIGNATOR*	IN. MM	FT./IN. MM	IN. MM	FT./IN. MM
LRELL_X12-_-	LRELL_X12-_-SA-_-	1-2½ 27-63	12.00 304.80	1' 9" 533.40	9.00 228.60	3' 0" 914.40
LRELL_X15-_-	LRELL_X15-_-SA-_-	1-3 27-78	15.00 381.00	2' 0" 609.60	9.00 228.60	3' 6" 1066.80
LRELL_X18-_-	LRELL_X18-_-SA-_-	1-4 27-103	18.00 457.20	2' 4" 711.20	10.00 254.00	4' 0" 1219.20
LRELL_X24-_-	LRELL_X24-_-SA-_-	1-4 27-103	24.00 609.60	2' 11" 889.00	11.00 279.40	4' 11" 1498.60
LRELL_X30-_-	LRELL_X30-_-SA-_-	1-5 27-129	30.00 762.00	3' 5" 1041.40	11.00 279.40	5' 9" 1752.60
LRELL_X36-_-	LRELL_X36-_-SA-_-	1-6 27-155	36.00 914.40	3' 11" 1193.80	11.00 279.40	6' 6" 1981.20
LRELL_X42-_-	LRELL_X42-_-SA-_-	1-6 27-155	42.00 1066.80	4' 6" 1371.60	12.00 304.80	7' 6" 2286.00
LRELL_X48-_-	LRELL_X48-_-SA-_-	1-6 27-155	48.00 1219.20	5' 0" 1524.00	12.00 304.80	8' 6" 2590.80
LRELL_X60-_-	LRELL_X60-_-SA-_-	2½-6 63-155	60.00 1524.00	6' 0" 1828.80	12.00 304.80	9' 10" 2997.20

\* Metric size designator (ANSI C80.1-1994).



ITEM	PIPE SIZE	RADIUS	ANGLE	MATERIAL	COLOR
<b>LRELL_X12-_-</b>	1 = 1"		30 = 30°	Blank = Steel	G = Gray
	2 = 2"		45 = 45°	SA = Aluminum	
	etc.		60 = 60°		W = White
			Blank = 90°		
					B = Blue

**Catalog No. Example:**  
**LRELL3X18-45-G** is a 3" trade size steel elbow with a radius of 18" and an angle of 45°, coated in gray PVC.

Custom colors also available.