

6" Vertical Triple Tube Open Downlight LF6CFV

One 26W, 32W or 42W Triple Tube
Compact Fluorescent
4-pin Lamp
120V-277V

DATE: _____ TYPE: _____

FIRM NAME: _____

PROJECT: _____



Ceiling Cutout: 6-1/4"
Maximum Ceiling Thickness: 1-1/4"
For conversion to millimeters,
multiply inches by 25.4
Not to Scale

APPLICATIONS:

The LF6CFV offers a vertically lamped compact fluorescent open downlight fixture. The multi-watt, multi-volt ballast provides the ability to change wattages by simply changing the lamp. This luminaire is ideal for a wide variety of low to medium height ceiling applications including commercial, retail, hospitality, and design build.

HOUSING:

One-piece 22-gauge galvalume steel platform. Prewired J-box with snap-on cover for easy access. Same housing accommodates downlight, wall wash downlight, and lensed downlight reflectors.

REFLECTOR:

High purity aluminum, Alzak, iridescence suppressed, semi-diffuse reflector. Self-trim standard. Painted white self-trim (WT) available as option. Baffled units standard with painted white self-trim.

BALLAST:

One (1) compact fluorescent Class 'P' electronic multi-volt (120V through 277V) HPF ballast suitable for operating all 26W, 32W, and 42W triple tube lamps. All ballast options are equipped with EOL protection. Accessible from below ceiling. Contact technical support for 347V.

LAMP:

Use one (1) 26W (GX24q-3 base), 32W (GX24q-3 base), or 42W (GX24q-4 base) 4-pin triple tube compact fluorescent lamp. Lamp furnished by others or as option below. Use only GE or OSRAM Sylvania lamps.

SOCKET:

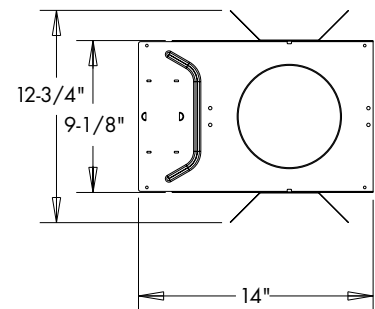
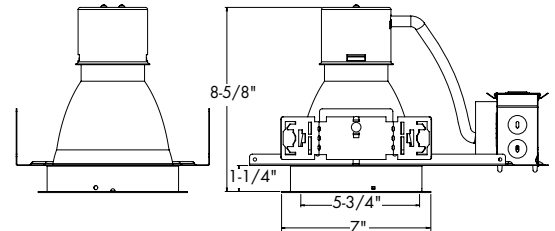
One (1) injection molded socket suitable for 26W, 32W, and 42W triple tube lamps (vented).

INSTALLATION:

Universal adjustable mounting brackets accept 1/2" EMT conduit or 1 1/2" or 3/4" lathing channel (by others) or Prescolite 24" bar hangers (B24 or B6). Light commercial bar hangers included.

LABELS:

UL listed or UL/CSA listed with CDN option Listed for damp locations.



Order housing, reflector and accessories separately.

CATALOG NUMBER:

EXAMPLE: LF6CFV32EB 6CFV LP32T30K

HOUSING	WATTAGE	HOUSING OPTIONS	HOUSING OPTIONS	REFLECTOR	REFLECTOR COLOR	TRIM OPTIONS	ACCESSORIES
<input type="checkbox"/> LF6CFV	<input type="checkbox"/> 32 26/32/42W Triple Tube	<input type="checkbox"/> CP ² Chicago Plenum CP fixture height is 11 7/8"	<input type="checkbox"/> HDM ⁴ Lutron Hi-Lume Dimming Ballast to 1%, 3-wire (specify voltage)	<input type="checkbox"/> 6CFV 6" Alzak Semi- Diffuse	<input type="checkbox"/> BLANK Clear Alzak	<input type="checkbox"/> TRG Trim ring gasket (factory installed)	<input type="checkbox"/> B24 Set of (2) 24" bar hangers for T-bar ceilings
	<u>BALLAST TYPE</u>	<input type="checkbox"/> FSDFA Fuse kit installed at factory	<input type="checkbox"/> ECDM ⁶ Lutron EcoSystem or 3-wire line voltage dimming ballast (120-277V). Dims to 5%.	<input type="checkbox"/> CG Champagne Gold Alzak	<input type="checkbox"/> WT White flange (Alzak only)	<input type="checkbox"/> B6 Set of (2) bar hangers for ceiling joists up to 24" centers	<input type="checkbox"/> FSDFI Fuse kit for field installation
	<u>VOLTAGE</u>	<input type="checkbox"/> RIF1 ^{1,2} Radio interference filter (single circuit)	<input type="checkbox"/> 7DM Advance Mark 7 Dimming Ballast to 5%, 4-wire, 0-10V	<input type="checkbox"/> PW Pewter Alzak		<input type="checkbox"/> FSCA6 Sloped ceiling adapter (see note on back page)	<u>LAMP ACCESSORIES</u>
	<input type="checkbox"/> Blank 120V-277V	<input type="checkbox"/> EMR ^{1,2} Emergency battery pack with remote test switch and indicator light	<input type="checkbox"/> XDM Advance Mark 10 Dimming Ballast to 5%, 2-wire line voltage (specify voltage)	<input type="checkbox"/> WE Wheat Alzak		<input type="checkbox"/> LP -wattage=26, 32, 42 -type= T (Triple 4-pin) -temp= 27K, 30K, 35K, 41K (Kelvin) *Example: LP32T30K	
	<input type="checkbox"/> CDN Canadian electrical code compliant ballast disconnect	<input type="checkbox"/> EM ^{1,2} Emergency Battery Pack with Integral test switch and indicator light.	<input type="checkbox"/> 2DM ^{4,7} Lutron Tu-Wire® Dimming Ballast to 5%, 2-wire line voltage (120V only)	<input type="checkbox"/> LW Light Wheat Alzak	<input type="checkbox"/> BB Black baffle (with clear Alzak upper reflector)		
	<input type="checkbox"/> CDN 347V ⁵ Canadian electrical code compliant ballast disconnect	<input type="checkbox"/> EM ^{1,2} Emergency Battery Pack with Integral test switch and indicator light.	<input type="checkbox"/> 2DM ^{4,7} Lutron Tu-Wire® Dimming Ballast to 5%, 2-wire line voltage (120V only)	<input type="checkbox"/> BB Black baffle (with clear Alzak upper reflector)	<input type="checkbox"/> WB White baffle (with clear Alzak upper reflector)		
		<input type="checkbox"/> DM Electronic Analog Dimming Ballast to 3%, 4-wire, 0-10V (120-277V)	<input type="checkbox"/> MW26 Max Wattage label, 26W				
		<input type="checkbox"/> DM Electronic Analog Dimming Ballast to 3%, 4-wire, 0-10V (120-277V)	<input type="checkbox"/> MW32 Max Wattage label, 32W				
		<input type="checkbox"/> DM Electronic Analog Dimming Ballast to 3%, 4-wire, 0-10V (120-277V)	<input type="checkbox"/> SYL ³ Osram Sylvania Ballast (available only for standard EB option)				
		<input type="checkbox"/> DM Electronic Analog Dimming Ballast to 3%, 4-wire, 0-10V (120-277V)	<input type="checkbox"/> SMT Philips Advance SmartMate® ballast				

¹RIF1, EMR, and EM options not offered in combination
²CP not offered in combination with RIF1, EMR, or EM.
³Available for Osram Sylvania Quick 60+® Limited
Warranty when used with Osram lamp(s).
See www.prescolite.com for details.
⁴Not available for 42W
⁵Dimming option not available for 347V.
⁶For 42W specify LF6CFV42EBEC2DM
⁷For 26W specify LF6CFV26EB2DM, 32W specify
LF6CFV32EB2DM

PHOTOMETRIC DATA

LiteFrame® - 6" Vertical Triple Tube Open Downlight - LF6CFV

BALLAST DATA

	26W Triple			32W Triple			42W Triple		
	120V	277V	347V	120V	277V	347V	120V	277V	347V
Total System Watts	29	29	31	36	36	36	46	46	50
Input Current (Amps)	0.24	0.11	0.09	0.31	0.13	0.11	0.38	0.17	0.15
Input Frequency in Hz	50/60	50/60	50/60	50/60	50/60	50/60	50/60	50/60	50/60
Power Factor	<.98	<.98	<.95	<.98	<.98	<.95	<.98	<.98	<.95
Ballast Factor	<1.1	<1.1	<1.02	<.98	<.98	<.98	<.98	<.98	<1.0
Total Harmonic Distortion	<10%	<10%	<10%	<10%	<10%	<10%	<10%	<10%	<10%

LAMP DATA CFLH1/CFLV

Rated Watts	26W Triple	32W Triple	42W Triple
Rated Lumens	1710	2200	3200
Efficacy (LPW)	66	69	76
Rated Life	12,000	12,000	12,000
CRI	82	82	82
Min. Starting Temp.	32°F	32°F	32°F

LUMINANCE DATA IN CANDELA/SQ. METER

Angle in Vertical	Average
45°	30812
55°	20813
65°	5367
75°	461
85°	0

Test No. ITL60612

LF6CFV32EB/6CFV with Clear Alzak Reflector

Lamp: 1-CF32DT/E/IN/830-SYLVANIA
Spacing Criteria: 1.4
Efficiency: 55.9%

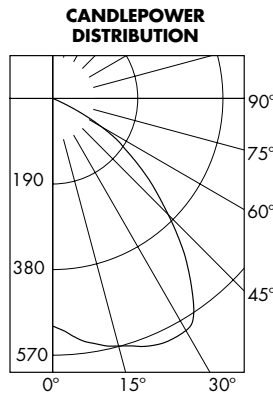
AVERAGE INITIAL FOOTCANDLES ON WORKPLANE

Assumptions:

1. Ceiling 80% Wall 50% Floor 20%
2. 4 Luminaires evenly spaced in the center of the room.
3. The room is square and has a width and length equal to twice the lamp spacing (LS).
4. RCR is Room Cavity Ratio.
5. Dirt and Lumen Depreciation Factors are 1.0.
6. Ballast Factor is 1.0 for ballasted fixtures.

LS (Feet)	(Footcandles)		
	RCR1	RCR3	RCR7
7.0	29	24	16
8.0	23	18	12
9.0	18	15	10
10.0	14	12	8
11.0	12	10	7
12.0	10	8	6
13.0	9	7	5
14.0	7	6	4
15.0	6	5	4

Test No. ITL60612



CANDLEPOWER SUMMARY

Angle	0°
0	505
5	530
10	553
15	569
20	586
25	597
30	595
35	547
40	461
45	365
50	281
55	200
60	126
65	38
70	3
75	2
80	1
85	0
90	0

Test No. ITL60612

COEFFICIENTS OF UTILIZATION Zonal Cavity Method

Room Cavity Ratio	% Effective Ceiling Cavity Reflectance																
	80%					70%					50%						
	20% Effective Floor Cavity Reflectance																
	% Wall Reflectance																
	70	50	30	10	70	50	30	10	50	30	10	50	30	10			
1	.62	.60	.59	.57	.61	.59	.58	.56	.57	.56	.54	.55	.54	.53	.53	.52	.51
2	.58	.54	.51	.49	.57	.53	.51	.48	.51	.49	.47	.50	.48	.46	.48	.47	.45
3	.54	.49	.45	.42	.52	.48	.45	.42	.46	.44	.41	.45	.43	.40	.44	.42	.40
4	.50	.44	.40	.37	.49	.43	.39	.37	.42	.39	.36	.41	.38	.36	.40	.37	.35
5	.46	.40	.35	.32	.45	.39	.35	.32	.38	.35	.32	.37	.34	.31	.36	.33	.31
6	.43	.36	.32	.29	.42	.36	.31	.28	.35	.31	.28	.34	.31	.28	.33	.30	.28
7	.40	.33	.29	.25	.39	.33	.28	.25	.32	.28	.25	.31	.28	.25	.30	.27	.25
8	.37	.30	.26	.23	.36	.30	.26	.23	.29	.25	.23	.28	.25	.23	.28	.25	.22
9	.35	.28	.24	.21	.34	.27	.23	.21	.27	.23	.21	.26	.23	.20	.26	.23	.20
10	.33	.26	.22	.19	.32	.25	.21	.19	.25	.21	.19	.24	.21	.19	.24	.21	.19

LF6CFV32EB/6CFV

Test No. ITL60612

NOTES

Refer to www.prescolite.com for additional photometric tests (IES Files).

When ordering a sloped ceiling adapter, specify the degree of slope in 5° increments, max. of 35°. For a more precise degree or wet ceiling applications, please contact factory. Sloped ceiling adapter and housing must be installed at the same time prior to finish ceiling installation.

