

**POLARIS™ INSULATED CONNECTORS**  
**Multi-Conductor Connector**  
**One Side Wire Entry**  
**IPL SERIES**



**FEATURES**

- Wire entry ports on one side only.
- Eliminates the need for cover and taping.
- Insulated with high-dielectric strength plastisol.
- Molded for precise fit and supplied with removable access plugs over the hex screws.
- Abrasion and chemical resistant, UV resistant.
- Will not support combustion.

**RATINGS**



UL Listed 486B Wire Connector.

**TEMPERATURE RATING/VOLTAGE:**

AL9CU. Cold temperature rated to -45 °C, rated 600V, 90 °C.

**WIRE TYPE:**

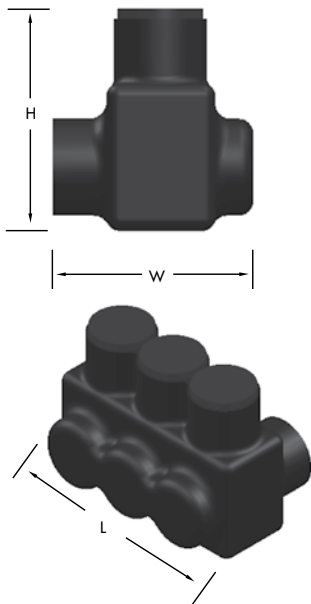
Dual rated for use with copper and/or aluminum cables. Not recommended for fine-stranded, flexible wire.

All dimensional data is listed in inches.

CAT. NO.	NO. OF PORTS
IPL4-3	3
IPL4-3A	3
IPL4-4	4
IPL4-4A	4
IPL4-5	5
IPL4-6	6
IPL4-8	8
IPL4-8A	8
IPL4-10	10
IPL4-12	12
IPL4-14	14
IPL1/0-3	3
IPL1/0-4	4
IPL1/0-5	5
IPL1/0-6	6
IPL1/0-8	8
IPL1/0-10	10
IPL1/0-12	12
IPL1/0-14	14
IPL3/0-3	3
IPL3/0-4	4
IPL3/0-5	5
IPL3/0-6	6
IPL3/0-8	8



WIRE RANGE	LENGTH (L)	WIDTH (W)	HEIGHT (H)	TORQUE VALUE (IN./LBS.)	HEX/WRENCH SIZE	STD. CTN. QTY.
4-14 AWG	1.550	1.188	1.375	45	Slotted	12
4-14 AWG	1.550	1.188	1.375	45	1/8	12
4-14 AWG	1.970	1.188	1.375	45	Slotted	6
4-14 AWG	1.970	1.188	1.375	45	1/8	6
4-14 AWG	2.390	1.188	1.375	45	Slotted	6
4-14 AWG	2.810	1.188	1.375	45	Slotted	6
4-14 AWG	3.660	1.188	1.375	45	Slotted	4
4-14 AWG	3.660	1.188	1.375	45	1/8	4
4-14 AWG	4.500	1.188	1.375	45	Slotted	4
4-14 AWG	5.100	1.188	1.375	45	Slotted	2
4-14 AWG	6.180	1.188	1.375	180	3/16	12
1/0-14 AWG	2.240	1.500	1.688	180	3/16	6
1/0-14 AWG	2.890	1.500	1.688	180	3/16	6
1/0-14 AWG	3.540	1.500	1.688	180	3/16	6
1/0-14 AWG	4.190	1.500	1.688	180	3/16	4
1/0-14 AWG	5.490	1.500	1.688	180	3/16	4
1/0-14 AWG	6.820	1.500	1.688	180	3/16	3
1/0-14 AWG	8.120	1.500	1.688	180	3/16	2
1/0-14 AWG	9.420	1.500	1.688	250	5/16	6
3/0-6 AWG	2.630	1.600	1.800	250	5/16	6
3/0-6 AWG	3.410	1.600	1.800	250	5/16	4
3/0-6 AWG	4.190	1.600	1.800	250	5/16	4
3/0-6 AWG	4.970	1.600	1.800	250	5/16	3
3/0-6 AWG	6.530	1.600	1.800	250	5/16	3



**POLARIS™ INSULATED CONNECTORS**  
**Multi-Conductor Connector**  
**One Side Wire Entry**  
**IPL SERIES CONT'D**



**FEATURES**

- Wire entry ports on one side only.
- Eliminates the need for cover and taping.
- Insulated with high-dielectric strength plastisol.
- Molded for precise fit and supplied with removable access plugs over the hex screws.
- Abrasion and chemical resistant, UV resistant.
- Will not support combustion.

**RATINGS**



UL Listed 486B Wire Connector.

**TEMPERATURE RATING/VOLTAGE:**

AL9CU. Cold temperature rated to -45 °C, rated 600V, 90 °C.

**WIRE TYPE:**

Dual rated for use with copper and/or aluminum cables. Not recommended for fine-stranded, flexible wire.

All dimensional data is listed in inches.

CAT. NO.	NO. OF PORTS
<b>IPL250-3</b>	3
<b>IPL250-4</b>	4
<b>IPL250-5</b>	5
<b>IPL250-6</b>	6
<b>IPL250-8</b>	8
<b>IPL350-3</b>	3
<b>IPL350-4</b>	4
<b>IPL350-5</b>	5
<b>IPL350-6</b>	6
<b>IPL350-8</b>	8
<b>IPL500-3</b>	3
<b>IPL500-4</b>	4
<b>IPL500-5</b>	5
<b>IPL500-6</b>	6
<b>IPL500-7</b>	7
<b>IPL500-8</b>	8
<b>IPL600-3*</b>	3
<b>IPL600-4*</b>	4
<b>IPL600-6*</b>	6
<b>IPL750-3**</b>	3
<b>IPL750-4**</b>	4
<b>IPL750-5**</b>	5
<b>IPL750-6**</b>	6

\*AL7CU rated.

\*\*Not UL listed.



WIRE RANGE	LENGTH (L)	WIDTH (W)	HEIGHT (H)	TORQUE VALUE (IN./LBS.)	HEX/WRENCH SIZE	STD. CTN. QTY.
250 MCM-6 AWG	2.930	2.030	2.180	360	5/16	6
250 MCM-6 AWG	3.800	2.030	2.180	360	5/16	4
250 MCM-6 AWG	4.660	2.030	2.180	360	5/16	4
250 MCM-6 AWG	5.220	2.030	2.180	360	5/16	3
250 MCM-6 AWG	7.240	2.030	2.180	400	5/16	4
350 MCM-6 AWG	3.470	2.130	2.460	400	5/16	3
350 MCM-6 AWG	4.540	2.130	2.460	400	5/16	3
350 MCM-6 AWG	5.570	2.130	2.460	400	5/16	2
350 MCM-6 AWG	6.620	2.130	2.460	400	5/16	2
350 MCM-6 AWG	8.720	2.130	2.460	450	5/16	3
500 MCM-4 AWG	3.960	2.500	2.940	450	5/16	3
500 MCM-4 AWG	5.110	2.500	2.940	450	5/16	2
500 MCM-4 AWG	6.250	2.500	2.940	450	5/16	2
500 MCM-4 AWG	7.400	2.500	2.940	450	5/16	2
500 MCM-4 AWG	8.590	2.500	2.940	450	5/16	2
500 MCM-4 AWG	9.690	2.500	2.940	550	5/16	3
600 MCM-6 AWG	4.470	2.710	3.020	550	5/16	2
600 MCM-6 AWG	5.770	2.710	3.020	550	5/16	2
600 MCM-6 AWG	8.370	2.710	3.020	550	3/8	3
750-250 MCM	4.950	3.090	3.490	550	3/8	2
750-250 MCM	6.380	3.090	3.490	550	3/8	1
750-250 MCM	7.800	3.090	3.490	550	3/8	1
750-250 MCM	9.230	3.090	3.490	550	3/8	1

