

**N1C SERIES ENCLOSURES**  
**"SMALL" NEMA 1 HINGED WALL-MOUNT**



**N1C060604**

**Industry Standards**

UL 50, Type 1  
 CSA Certified, Type 1  
 NEMA/EEMAC Type 1

 UL Files E6924

 CSA File LL66078

**FEATURES-SPECIFICATIONS**

**Applications**

Designed for use as control enclosures and instrument cases in areas not requiring oil-tight and dust-tight specifications.

**Construction**

- Bodies and doors fabricated from 14 gauge steel (reference tables)
- Continuous hinged covers
- Mounting holes on back of cabinet
- Grounding provisions provided

- Doors furnished standard with flushmount quarter-turn style latch
- Weldnuts provided for mounting optional back panels

**Finish**

- ANSI-61 gray polyester powder inside and out over phosphatized surface
- **Optional** back panels are white polyester powder over phosphatized surfaces

**Accessories**

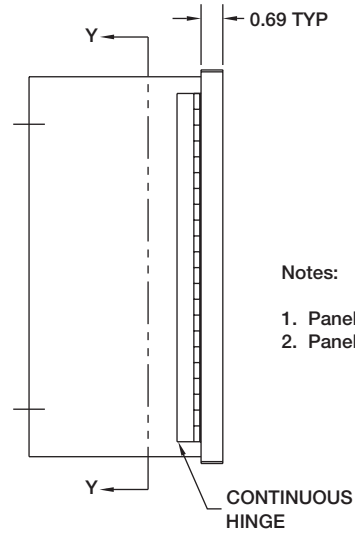
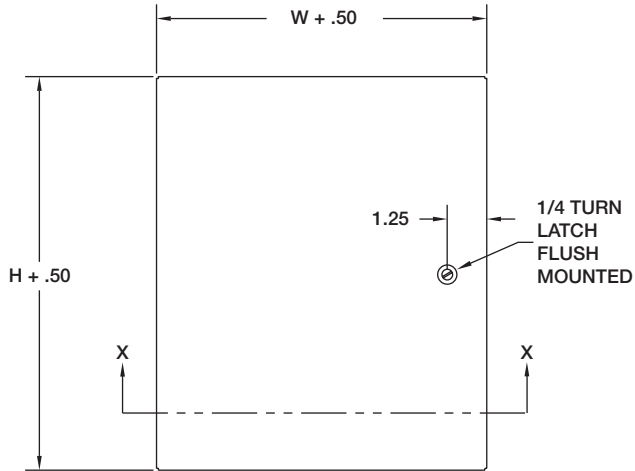
- Back panels (reference tables)
- Cylinder lock kit
- See pages J1-J19

"SMALL" N1C SERIES HINGE COVER ENCLOSURES					
CATALOG NUMBER	BODY/DOOR STEEL GAUGE	ENCLOSURE SIZE H+1/8", W+1/8", D+3/16"	BACK PANEL CATALOG NUMBER*	BACK PANEL STEEL GAUGE	BACK PANEL SIZE A X B
N1C060604	14/14	6.00x6.00x4.00 (152x152x102)	N1P0606	14	4.25x4.25 (108x108)
N1C060804	14/14	8.00x6.00x4.00 (203x152x102)	N1P0608	14	6.25x4.25 (159x108)
N1C080804	14/14	8.00x8.00x4.00 (203x203x102)	N1P0808	14	6.25x6.25 (159x159)
N1C081004	14/14	10.00x8.00x4.00 (254x203x102)	N1P0810	14	8.25x6.25 (210x159)
N1C101004	14/14	10.00x10.00x4.00 (254x254x102)	N1P1010	14	8.25x8.25 (210x210)
N1C101204	14/14	12.00x10.00x4.00 (305x254x102)	N1P1012	14	10.25x8.25 (260x210)
N1C121204	14/14	12.00x12.00x4.00 (305x305x102)	N1P1212	14	10.25x10.25 (260x260)
N1C121404	14/14	14.00x12.00x4.00 (356x305x102)	N1P1214	14	12.25x10.25 (311x260)
N1C060806	14/14	8.00x6.00x6.00 (203x152x152)	N1P0608	14	6.25x4.25 (159x108)
N1C080806	14/14	8.00x8.00x6.00 (203x203x152)	N1P0808	14	6.25x6.25 (159x159)
N1C081006	14/14	10.00x8.00x6.00 (254x203x152)	N1P0810	14	8.25x6.25 (210x159)
N1C101006	14/14	10.00x10.00x6.00 (254x254x152)	N1P1010	14	8.25x8.25 (210x210)
N1C101206	14/14	12.00x10.00x6.00 (305x254x152)	N1P1012	14	10.25x8.25 (260x210)
N1C121206	14/14	12.00x12.00x6.00 (305x305x152)	N1P1212	14	10.25x10.25 (260x260)
N1C121406	14/14	14.00x12.00x6.00 (356x305x152)	N1P1214	14	12.25x10.25 (311x260)
N1C121606S	14/14	16.00x12.00x6.00 (406x305x152)	N1P1216	14	14.25x10.25 (362x260)
N1C122006	14/14	20.00x12.00x6.00 (508x305x152)	N1P1220	14	18.25x10.25 (464x260)
+ N1C121208	14/14	12.00x12.00x8.00 (305x305x203)	N1P1212	14	10.25x10.25 (260x260)
+ N1C121408	14/14	14.00x12.00x8.00 (356x305x203)	N1P1214	14	12.25x10.25 (311x260)

\*Back panels must be ordered separately

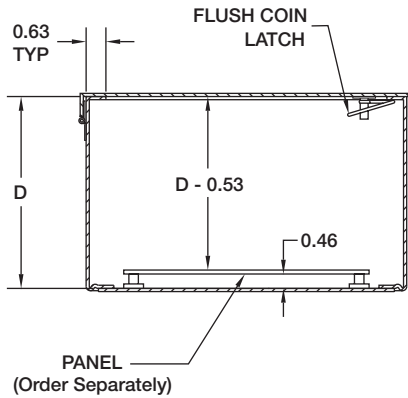
(+) All products, unless otherwise denoted by a (+), are: H+1/8", W+1/8", D+3/16"



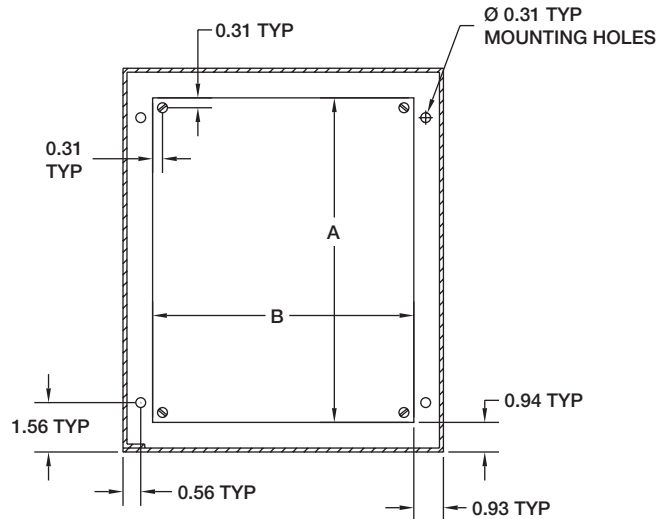


Notes:

1. Panels are 14 Ga. steel.
2. Panel screws are #10-32.



SECTION X-X



SECTION Y-Y

